



MARITIME
DEVELOPMENTS

Product Datasheet

Lower Chute

The LC-5Te lower chute transitions flexible product from a deck mounted reel or carousel to a vertical plane.

LC-5Te

The unit is supplied with an integrated electro-hydraulic power unit, can be mounted below or above deck and pivots horizontally to provide a fleeting angle.

Component Parts

Base frame
Tower
Chute complete with Diablo rollers
22kW Electric motor and hydraulic pump unit

Power Supply

Electrical supply
440V, 2phase at 60Hz
22Kw drawing 40amps

Properties

Dimensions
5.2m x 3.4m x 7.05m (LxBxH)

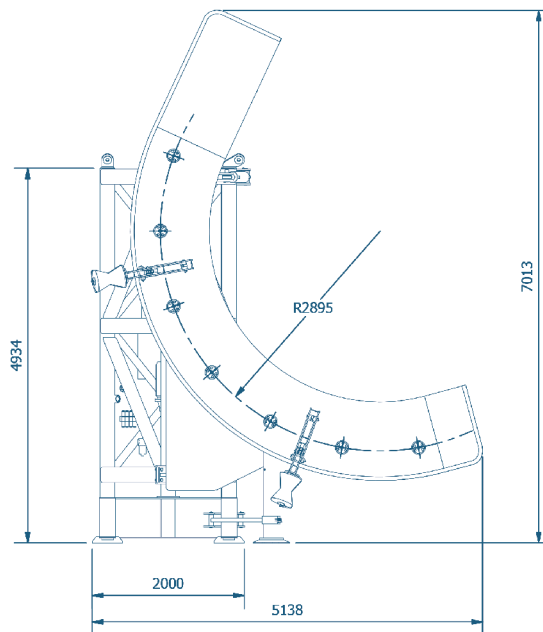
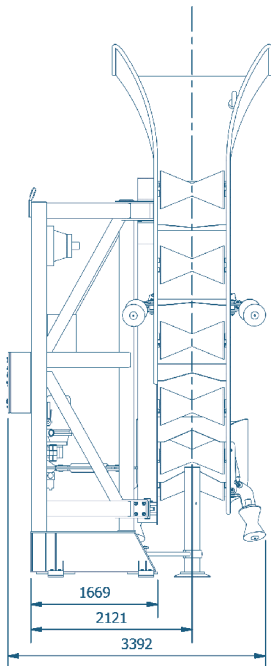
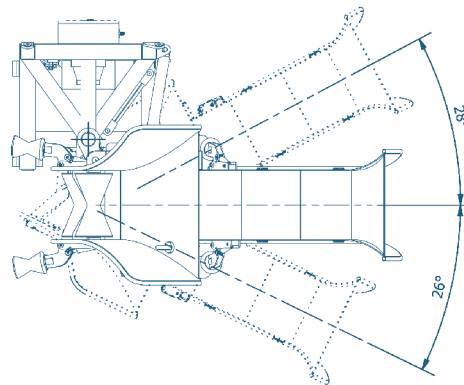
Weights
10Te

Performance

Max product line tension: 5Te
Fleeting angle: 26 degrees

Product Diameters, Bending Radius and Line Speed

Min product outer diameter: 100mm
Max product outer diameter: 600mm
Bending radius: 3.0m



Rev:01

T +44 (0)1779 491144
F +44 (0)1779 491155

BUSINESS DEVELOPMENT & DESIGN
62 Dee St | Aberdeen | Scotland | AB11 6DS

hello@maritimedevolutions.com
www.maritimedevolutions.com

MANUFACTURE & SERVICES
Wilson St | Peterhead | Scotland | AB42 1UD

MARITIME
DEVELOPMENTS

