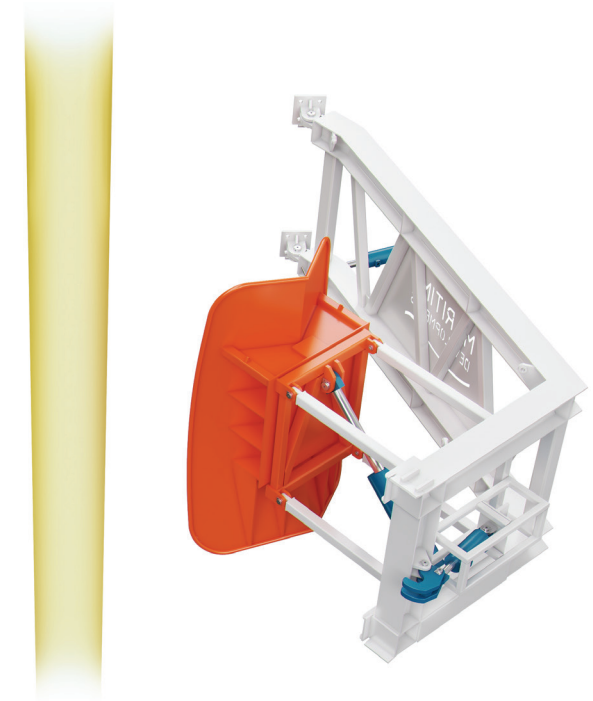




The function of the DC-4.0/75 Departure Chute is to align/guide the flexible pipe as it leaves the tensioner mounted on a vertical lay system. It is adjustable to different product diameters and can open fully when recovering or abandoning product.



MARITIME
DEVELOPMENTS

Product Datasheet

75Te/4m Departure Chute

The DC-4.0/75 Departure Chute is a 75Te - 4.0m radius chute for the installation or recovery of flexibles, cables, wire, umbilicals or steel pipe products as part of a vertical lay system.

T +44 (0)1779 491144
F +44 (0)1779 491155

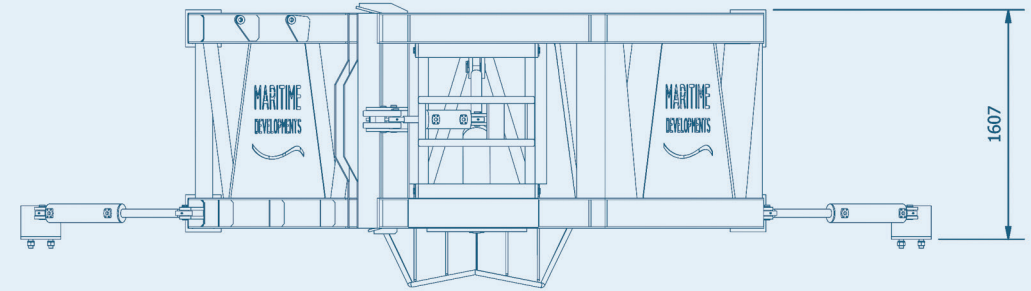
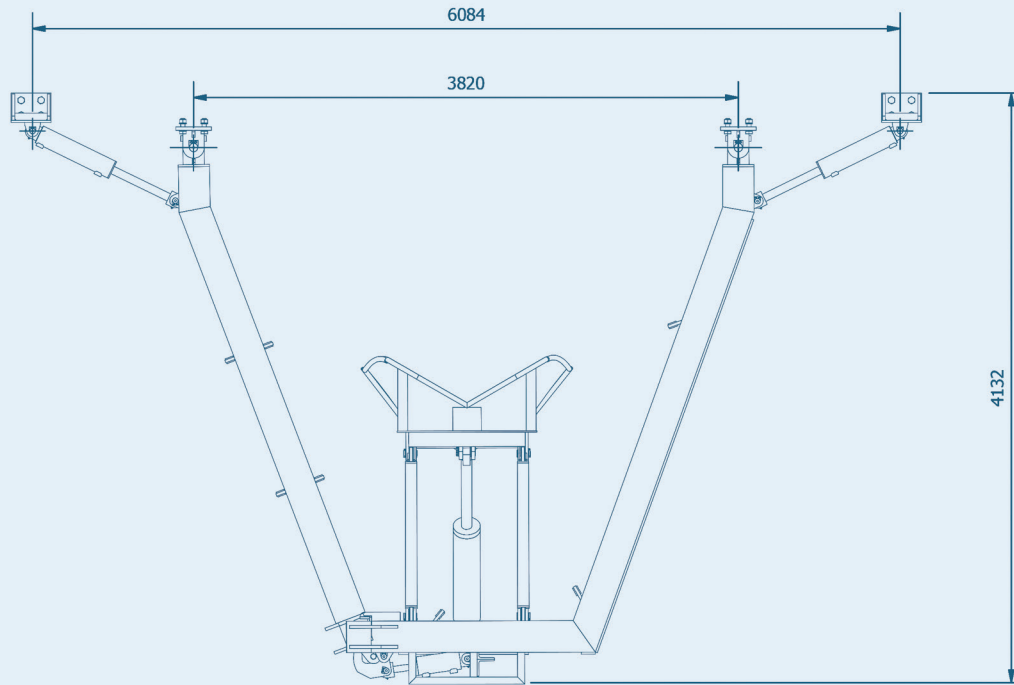
hello@maritimedevlopments.com
www.maritimedevlopments.com

BUSINESS DEVELOPMENT & DESIGN
62 Dee St | Aberdeen | Scotland | AB11 6DS

MANUFACTURE & SERVICES
Wilson St | Peterhead | Scotland | AB42 1UD

Rev:01

DC-4.0/75



Properties

Dimensions

6.1m x 4.13m x 1.6m (LxBxH)

Weight

2.7Te

Radius of chute

4.0m

Tension capacity

75Te

Components

Retractable chute support frame

Retractable chute locking frame

Retractable departure chute

Performance

Product diameters

Min product diameter: 50mm OD

Max product diameter: 650mm OD

Fleeting angle: 20°

Services Required

Hydraulic supply

Pressure: 250 Bar

Flow: 75Litres/Min